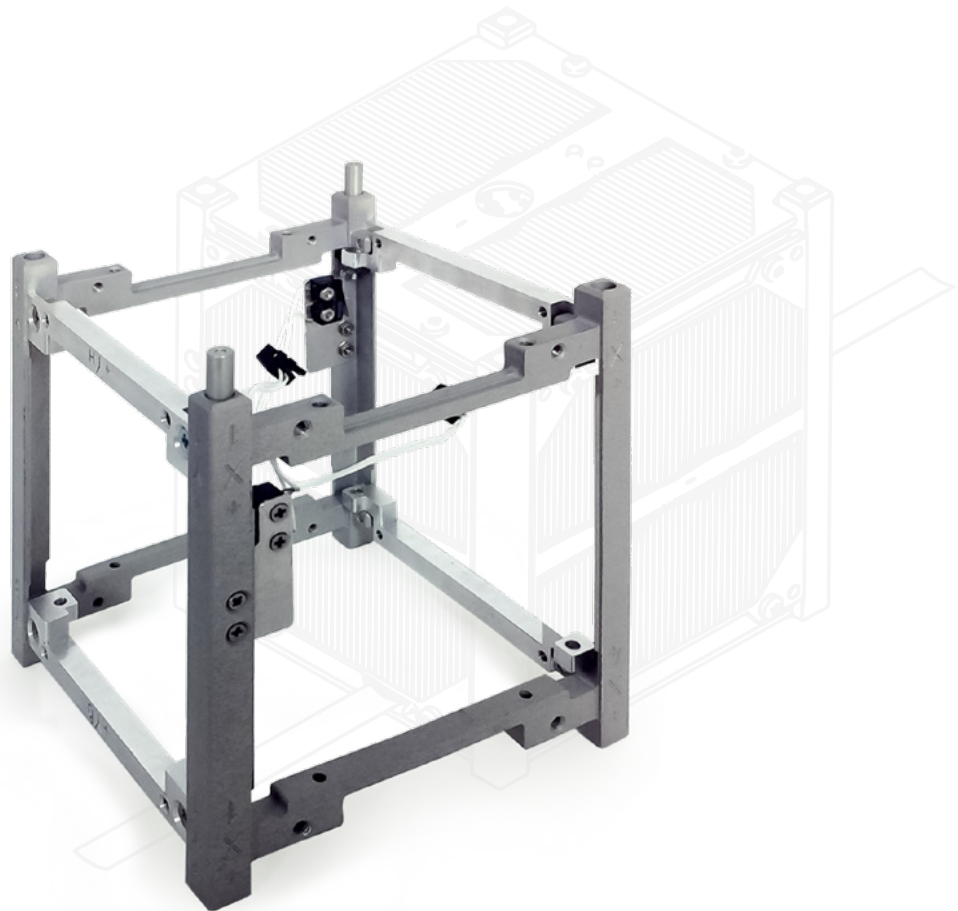


1U CubeSat structure

SXC-F1U-02



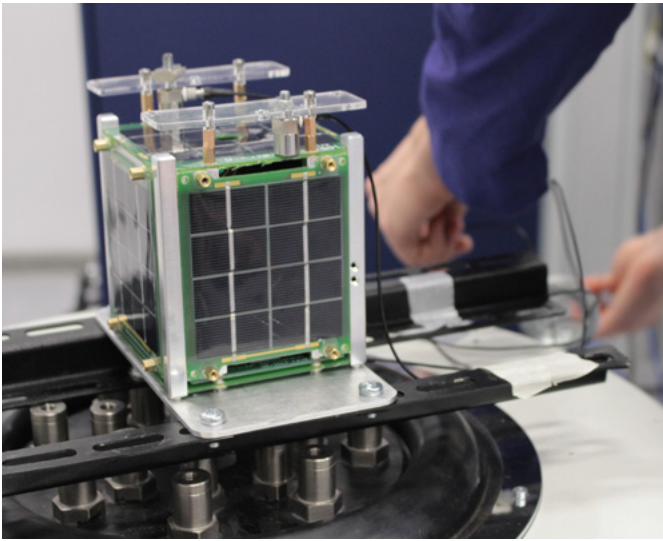
1U CubeSat structure SXC-F1U-02 is designed in accordance with CubeSat rev.13 specification and supports modular satellite construction based on PC104 PCB stack with solar panels on the edges.

Features:

- Very easy to assemble
- Easy access to internal volume

Configuration:

- Separation switches connectors
- Radiation protection panels (optional)



The structure is fully compatible with all SPUTNIX OrbiCraft-Pro devices.

The structure provides fast and simple assemble and requires only 8 screws. At the same time, it is durable base for the satellite with easy access to the devices inside and on the edges.

For container launches there is a deployment system which consists of 2 separation springs and double separation switches with interface for SPUTNIX SXC-PSU-03 power supply unit.



Properties

Dimensions (with springs pressed)	100 x 100 x 113,5 mm (CubeSat 1U)
Mass	132 g
Board stack	PC/104

Performance

Separation springs	2 pcs
Separation switches	2 pcs

Operating conditions

Operating temperature range	-40...+85°C
Storage temperature	-50..+105°C
Mechanical vibration	12 g (request full test report)
Mechanical shock	50 g (request full test report)

Testing*

Tests	Options
Functional	QT, AT
Vibration	QT, AT (on demand)
Mechanical shock	QT
Thermal cycling	QT, AT (on demand)
Thermal vacuum	QT, AT (on demand)

QT – Qualifying tests
 AT – Acceptance tests
 *QT is performed on the design/qualification model
 AT is performed on the unit to be shipped